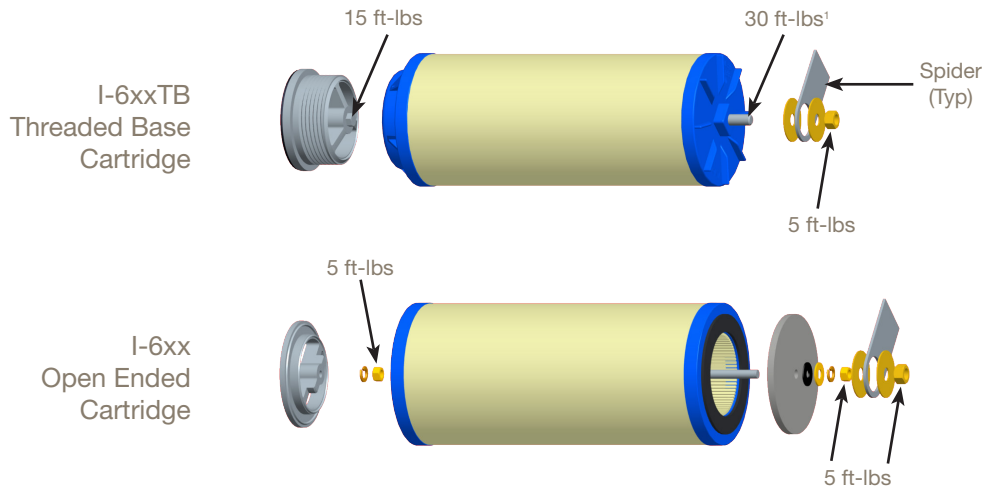


# Assembly Torque Specifications

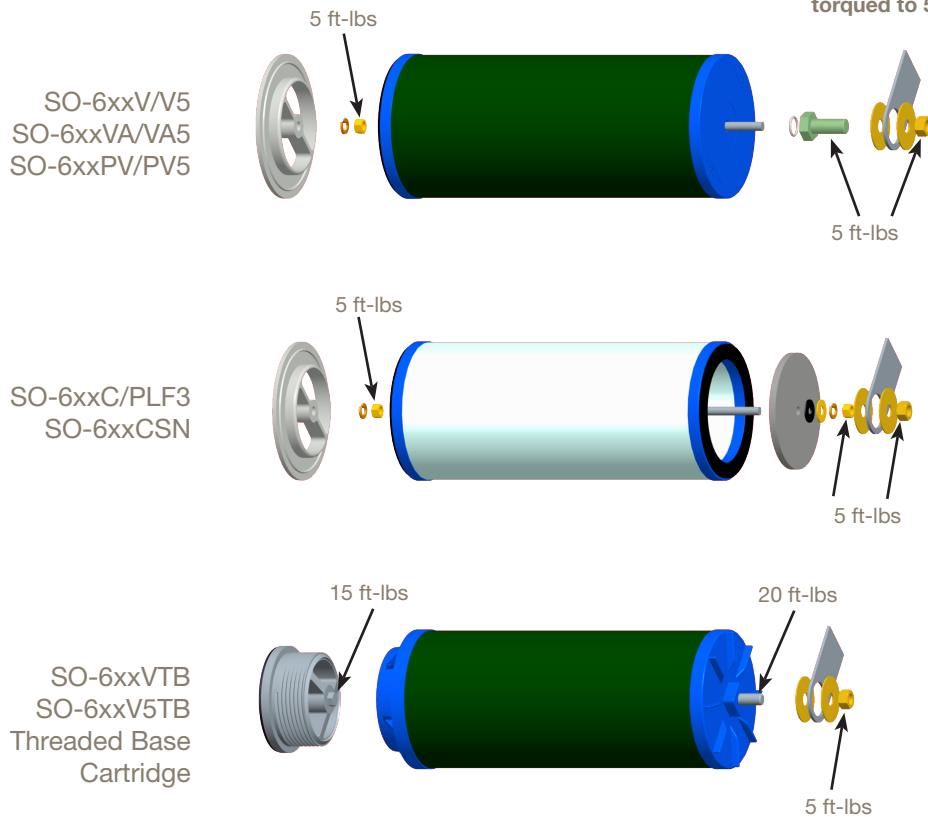
## COALESCER CARTRIDGES

<sup>1</sup>10 ft-lbs for I-4xxT coalescers



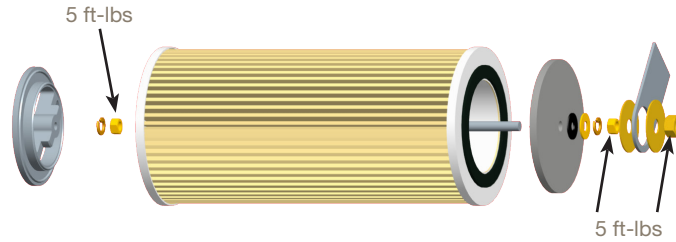
## SEPARATOR CARTRIDGES<sup>2</sup>

<sup>2</sup>All 3" and 4" separators should be torqued to 5 ft-lb on both ends.

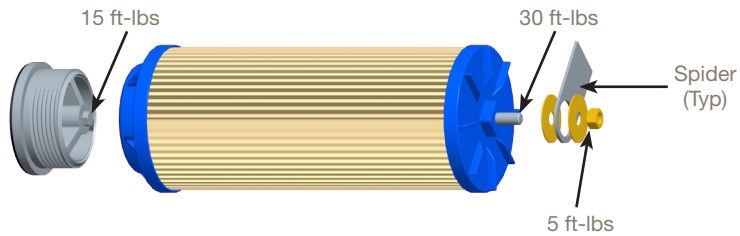


## FILTER CARTRIDGES

FO-6xxPLF  
FO-6xxFG  
FO-6xxA3

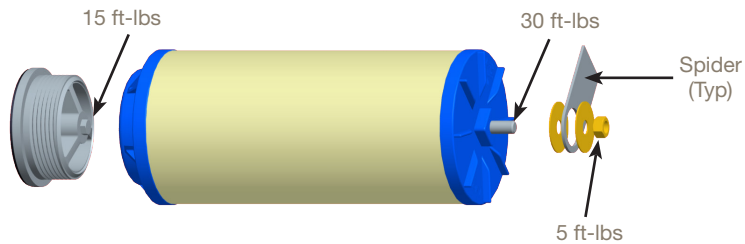


FO-6xxPLFTB  
Threaded Base  
Cartridge

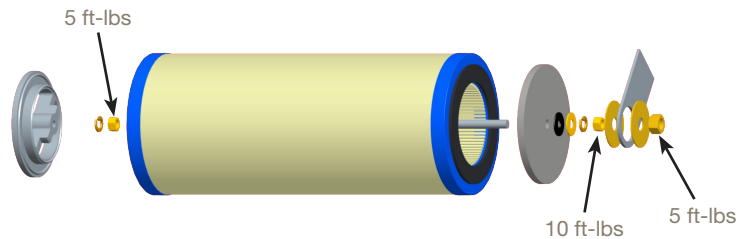


## Aquacon® CARTRIDGES

ACO-6xxTB  
AC-6xxTB  
AD-6xxTB  
Threaded Base  
Cartridge



AC, ACO,  
ASL, AD  
Open Ended  
Cartridge



## TORQUE CONVERSION TABLE

ft-lbs	inch-lbs	kg-m	N-m
5	60	0.69	6.78
10	120	1.38	13.56
15	180	2.07	20.34
20	240	2.77	27.12
30	360	4.15	40.67

© 2018 Parker Hannifin Corporation. Product names are trademarks or registered trademarks of their respective companies.

VEL1801R8 0318



Parker Hannifin Corporation  
**Aerospace Filtration Division**  
1210 Garden of the Gods Road  
Colorado Springs, CO 80907 USA  
tel +1 719 531 5855  
www.velcon.com | www.parker.com